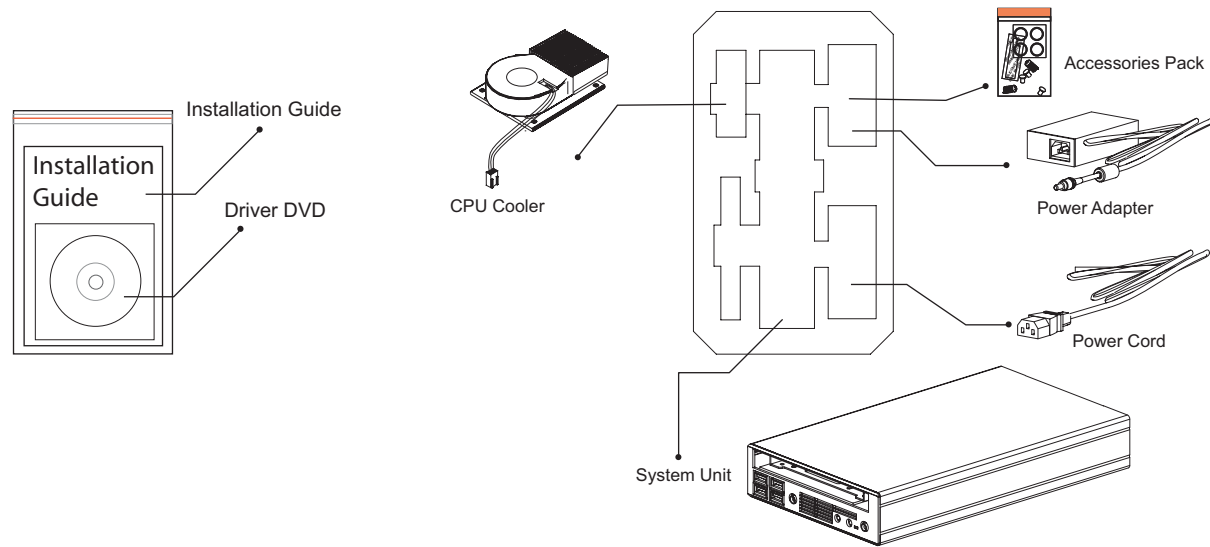


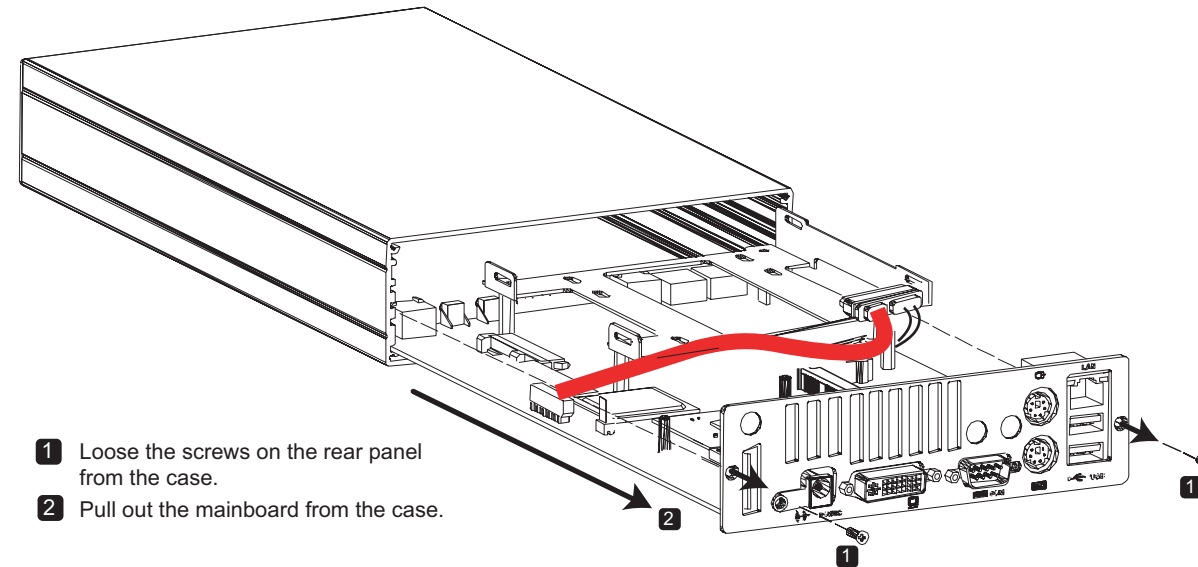
INSTALLATION GUIDE

M1685A

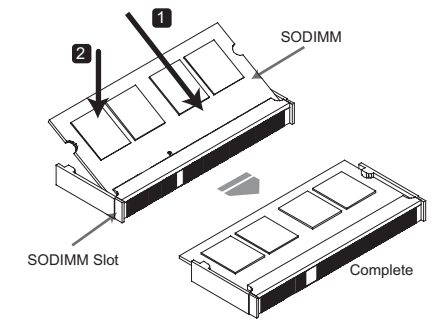
Item Checklist



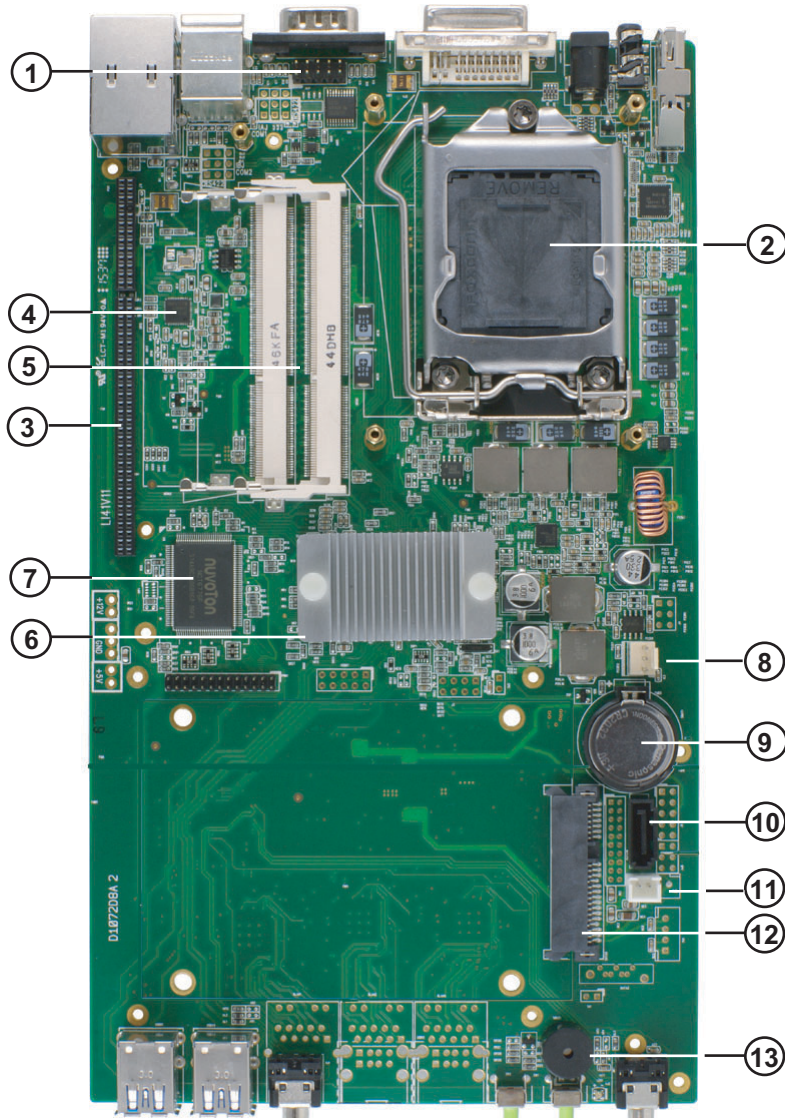
Barebone System Unpacking Guide



Install Memory

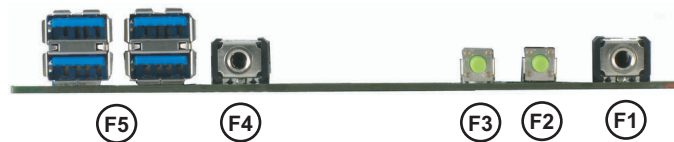


Mainboard Layout

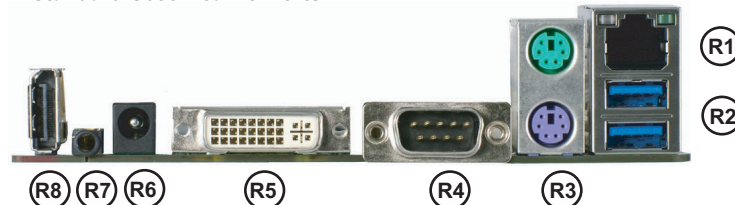


1	Secondary COM Port Header	R1	GigaLAN Port
2	CPU Socket	R2	Two USB 3.0 Ports
3	Optional Riser Card Slot	R3	PS/2 Keyboard and Mouse Ports
4	Intel Giga LAN Chip	R4	COM 1
5	SODIMM Slots	R5	DVI-I Port
6	Intel Q87 Chip	R6	DC 12V Power In
7	Super IO Chip	R7	Line-Out Audio Port
8	CPU Cooling Fan Power Connector	R8	DP (Display Port)
9	CMOS Battery	F1	Mic-In Phone Jack
10	SATA Cable Connector	F2	Power Button
11	SATA Power Connector	F3	Reset Button
12	SATA HDD Connector	F4	Ear Phone Jack
13	Buzzer	F5	Four USB 3.0 Ports

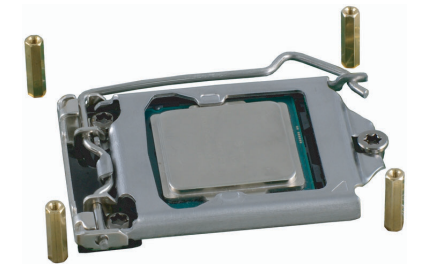
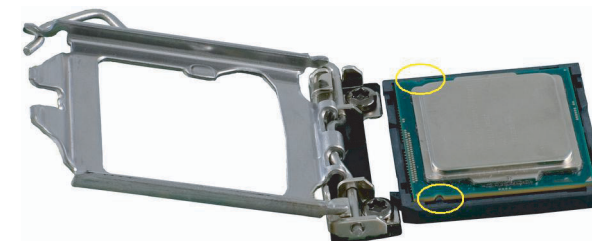
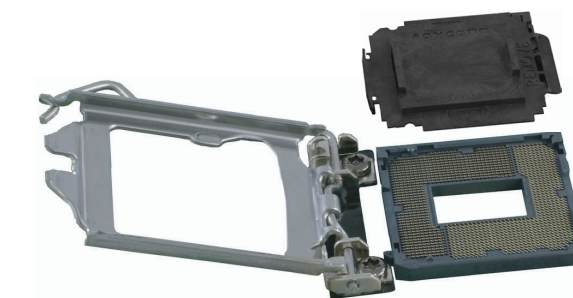
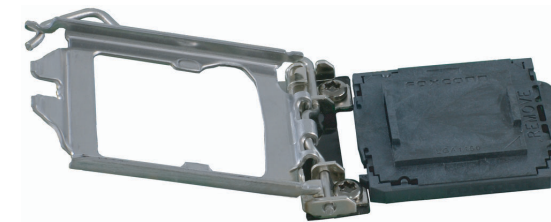
Standard S685 Front IO Ports



Standard S685 Rear IO Ports



Install CPU and CPU Cooler



- 6 Connect CPU FAN connector to mainboard CPU FAN socket.

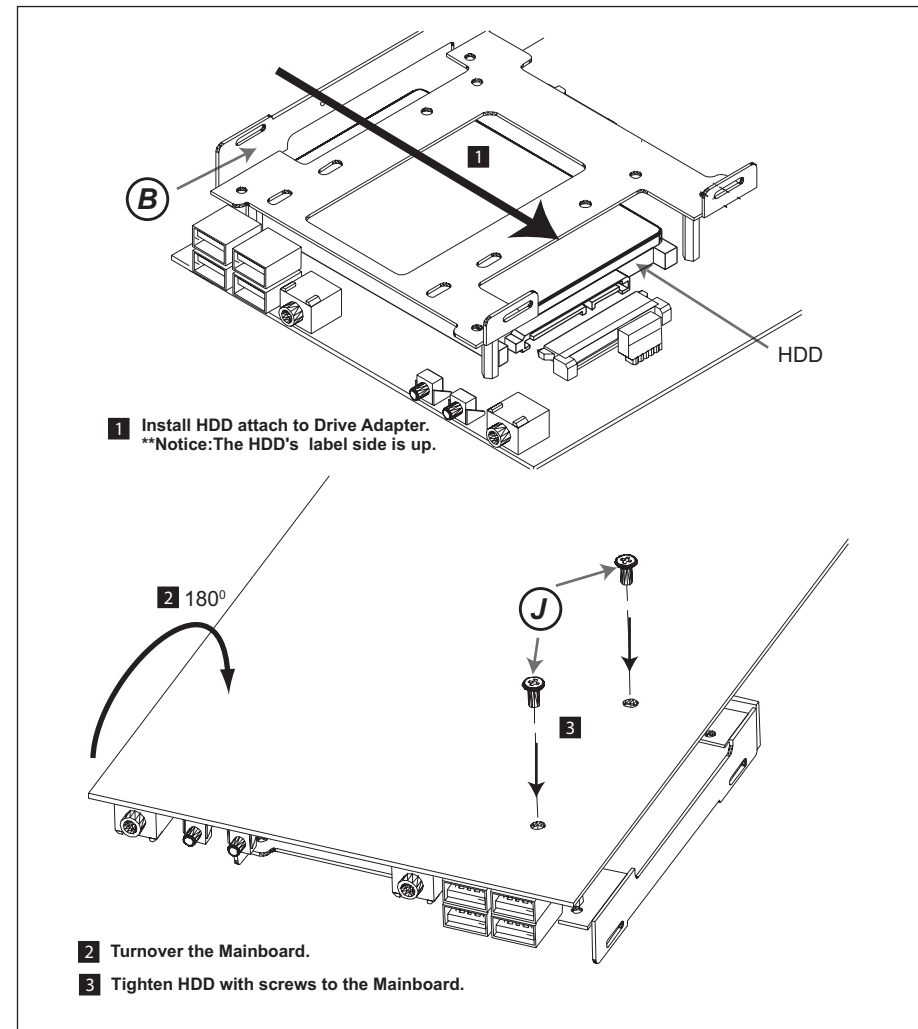
Hardware Installation

Part List

- (A)** COM/DVI Screws (* 6)
- (B)** DVD-ROM Drive Bracket
- (C)** Front Panel
- (D)** Rear Panel
- (E)** Case
- (F)** Mainboard
- (G)** CPU Cooler

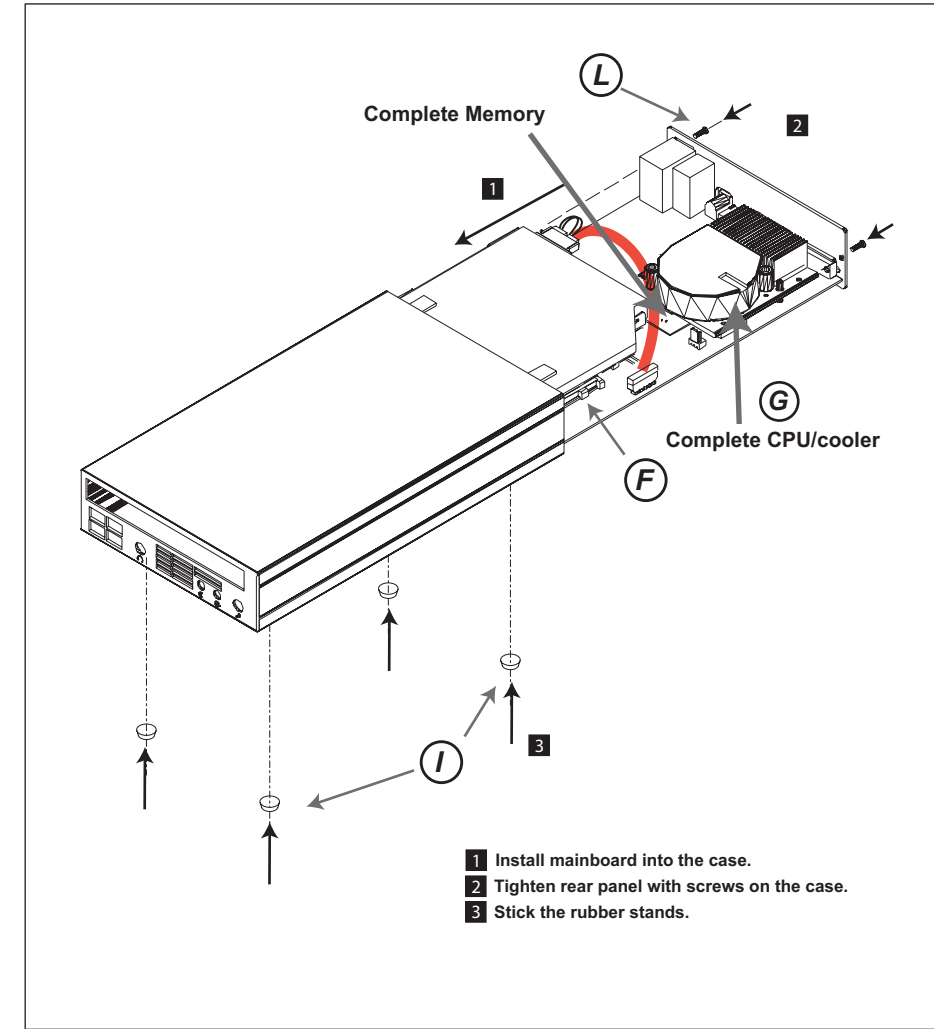
STEP 1

Install Slim HDD



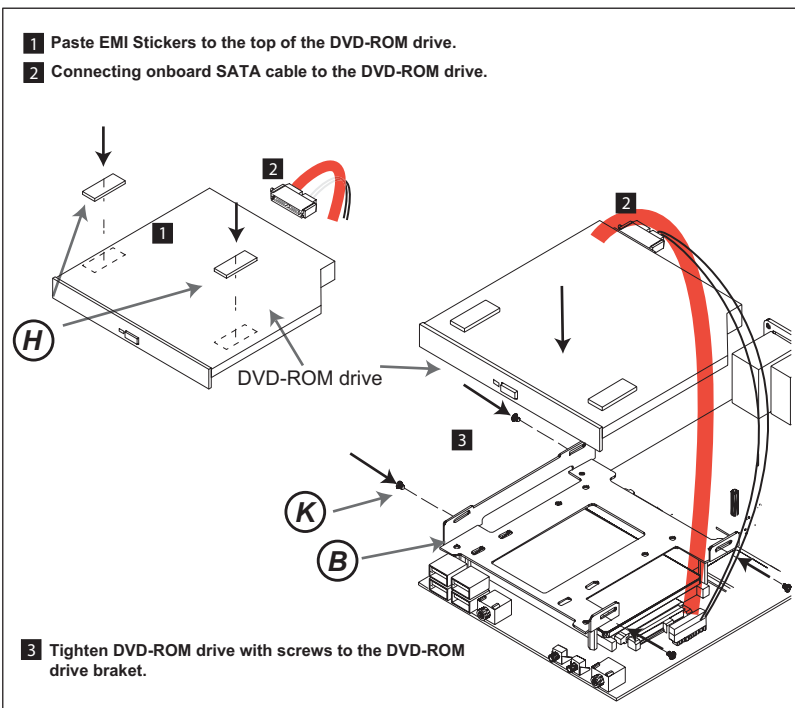
STEP 3

Install Case

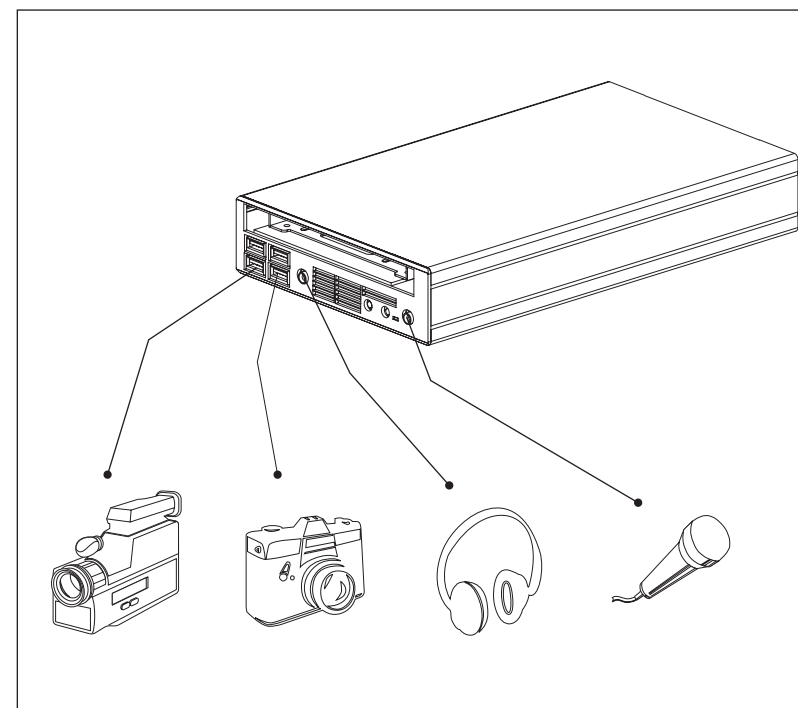


STEP 2

Install DVD-ROM Drive



Complete System



Accessory Pack

- (H)** EMI Sticker (*2)
- (I)** Rubber Stand (*4)
- (J)** 2.5" HDD Screws (* 5)
- (K)** DVD-ROM Drive Screws (* 5)
- (L)** Case Screws (* 2)
- (M)** CPU Cooler Screws (*4)
- (N)** CPU Cooler Paste (* 1)

The system uses entire case for partial heat dissipation, so the normal operating temperature of the case is between 35°C ~ 45°C.

Specification is subject to change without notice, it is for reference only.