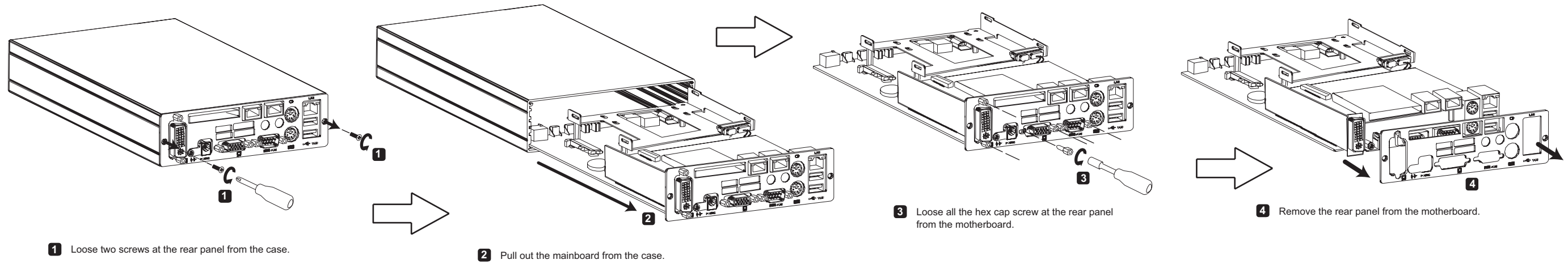


S645P Series Barebone Unpacking



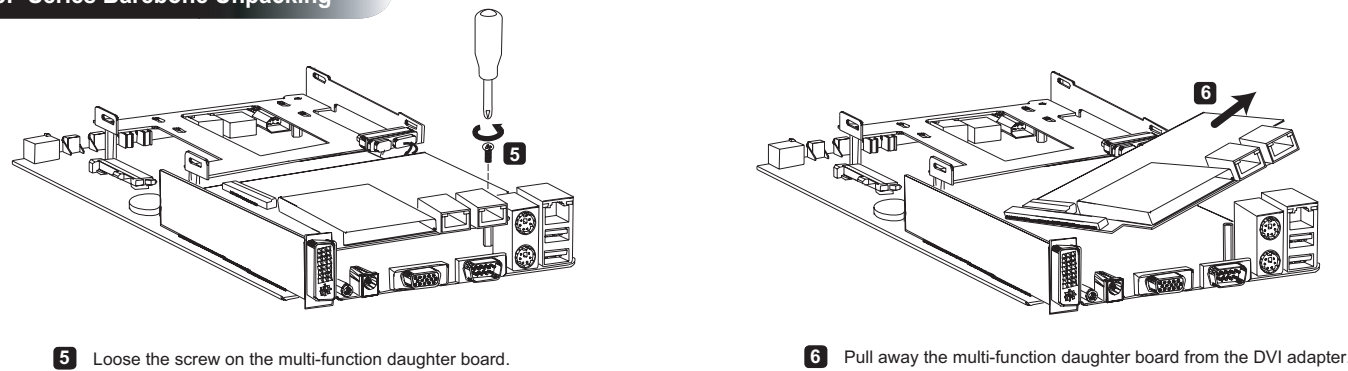
1 Loose two screws at the rear panel from the case.

2 Pull out the mainboard from the case.

3 Loose all the hex cap screw at the rear panel from the motherboard.

4 Remove the rear panel from the motherboard.

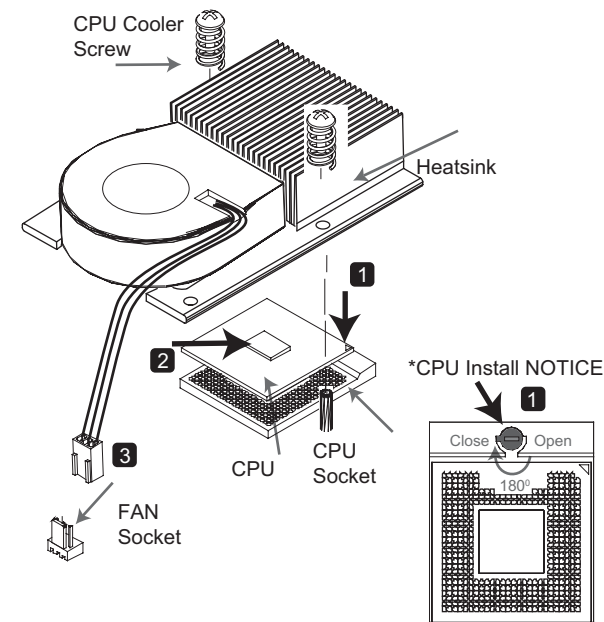
S645P Series Barebone Unpacking



5 Loose the screw on the multi-function daughter board.

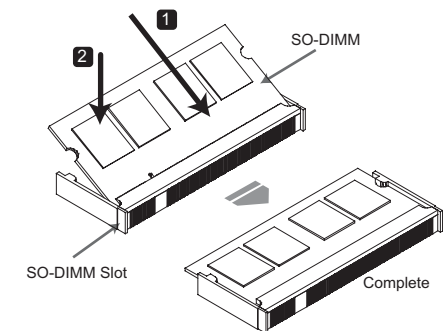
6 Pull away the multi-function daughter board from the DVI adapter.

Install CPU & CPU Cooler



- 1 Install CPU into CPU socket. Match socket pin 1 and CPU cut edge. Screw down the black button to fasten the CPU.
- 2 Glue the heatsink compound on the CPU die surface. Install CPU cooler on top of CPU. Tighten CPU cooler with screws into pillaret.
- 3 Connect CPU FAN connector to mainboard CPU FAN socket.

Install Memory



- 1 Insert SO-DIMM into the SO-DIMM slot on the motherboard by 30°.
- 2 Push down the SO-DIMM onto DIMM slot.

