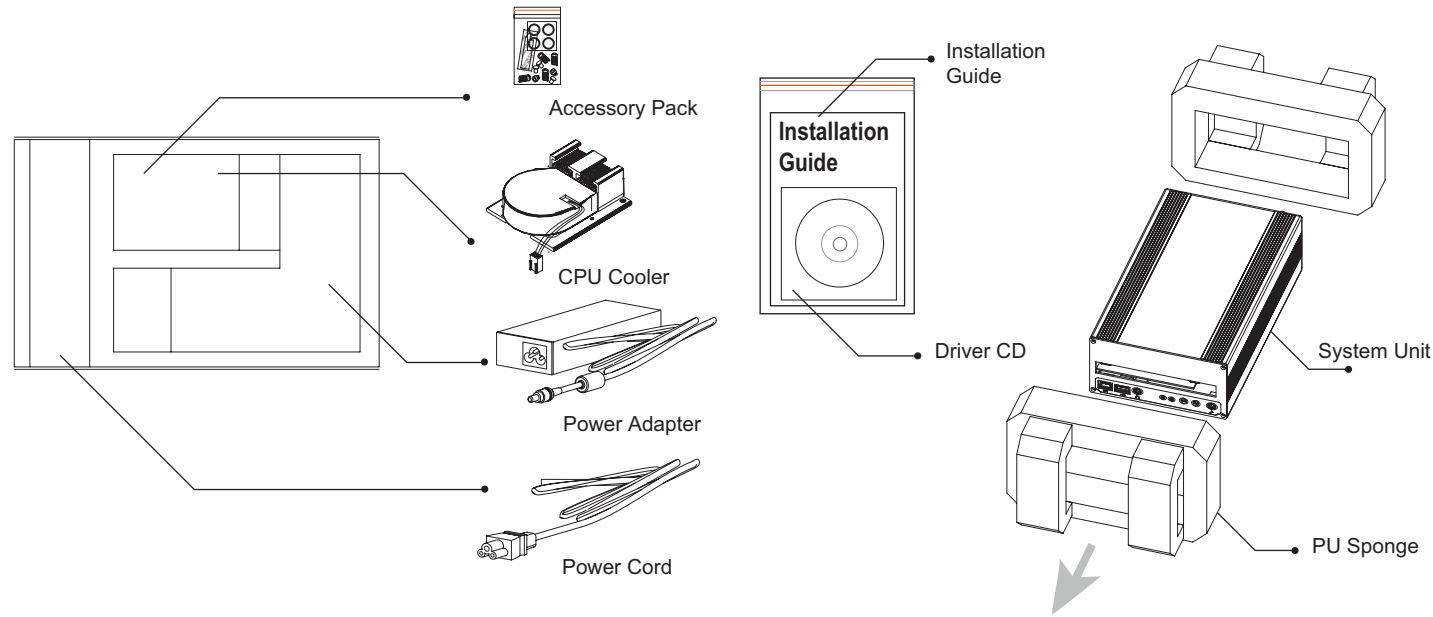


INSTALLATION GUIDE

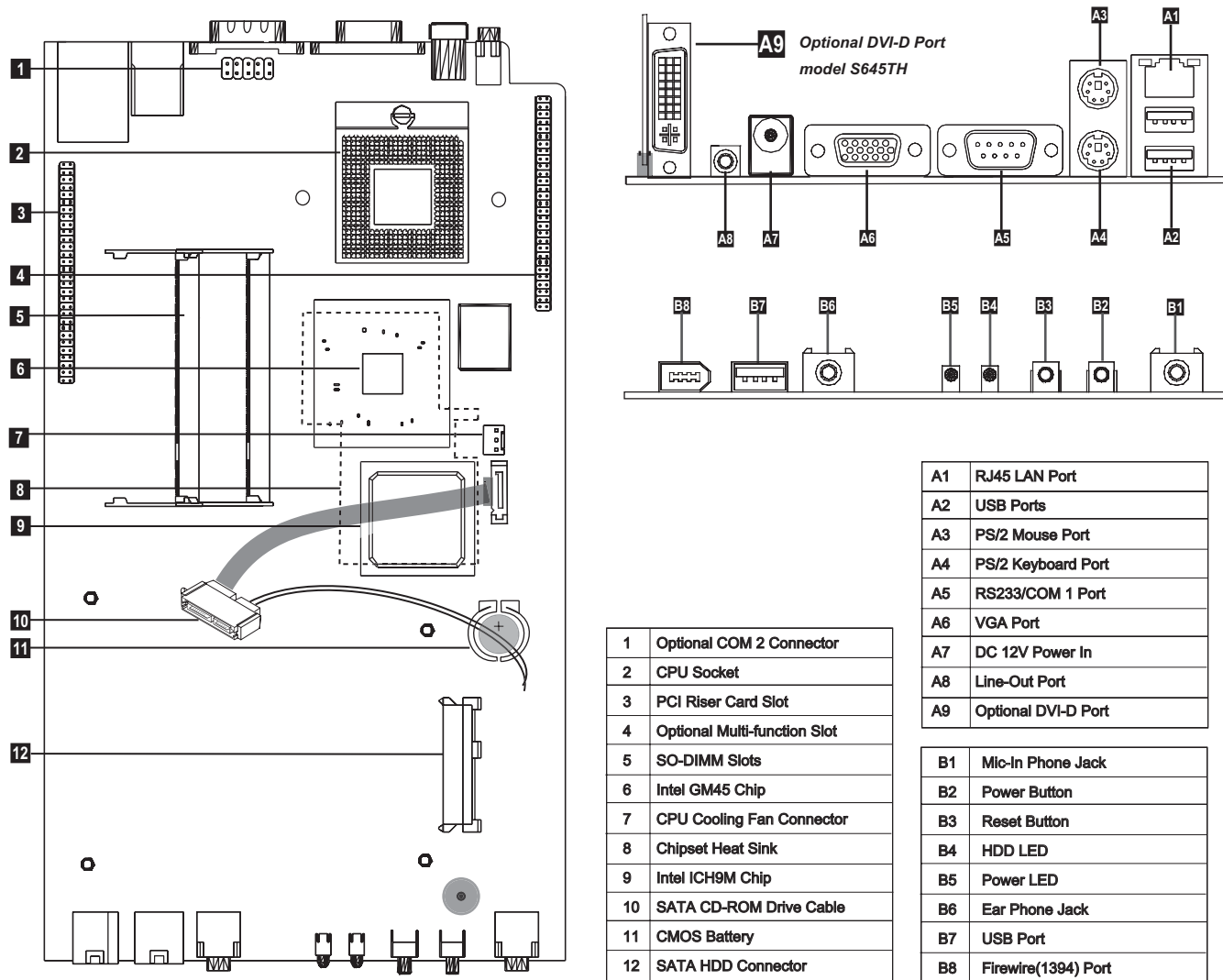
M1645H

Item Checklist

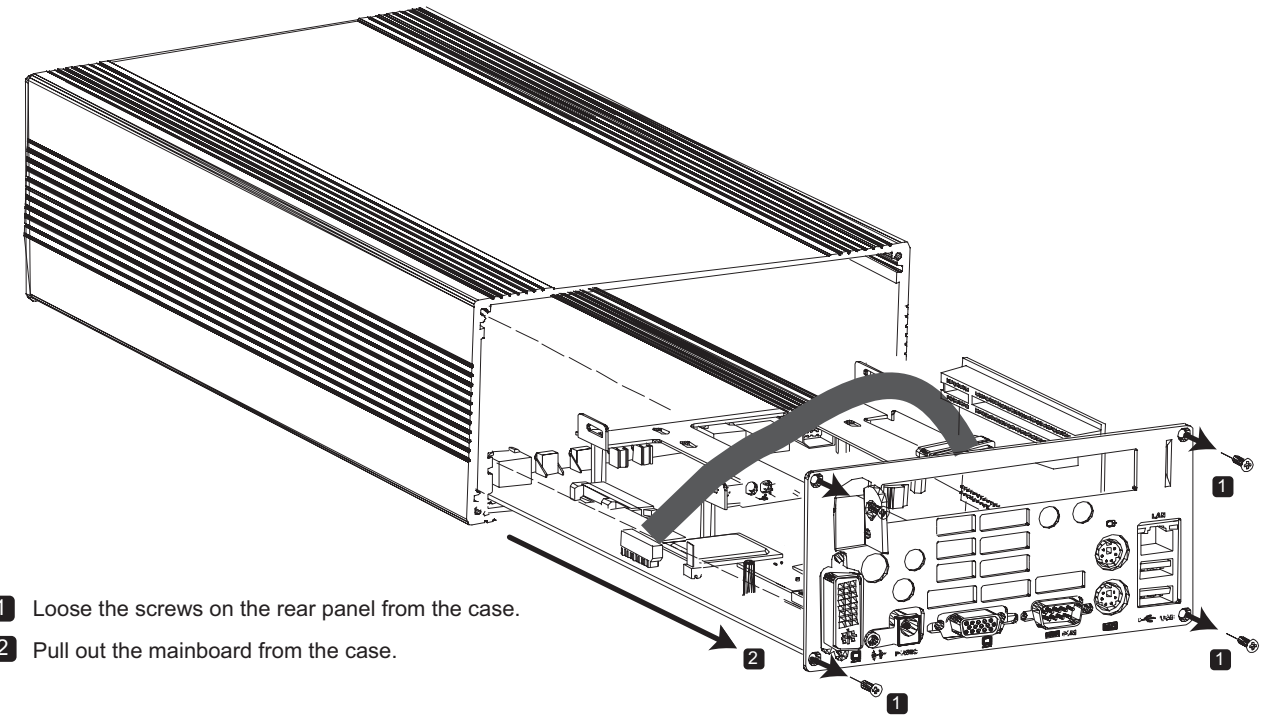


Mainboard Layout

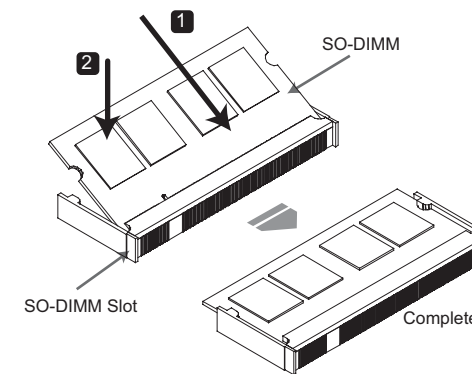
Specifications are for reference only and subject to change without notice.



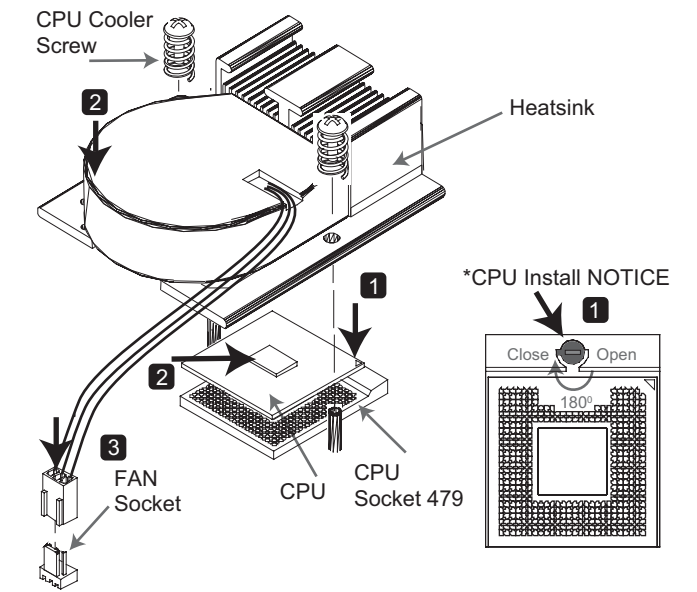
Barebone System Unpacking Guide



Install Memory



Install CPU & CPU Cooler



Specifications are for reference only and subject to change without notice.

INSTALLATION GUIDE

M1645H

Hardware Installation

Part List

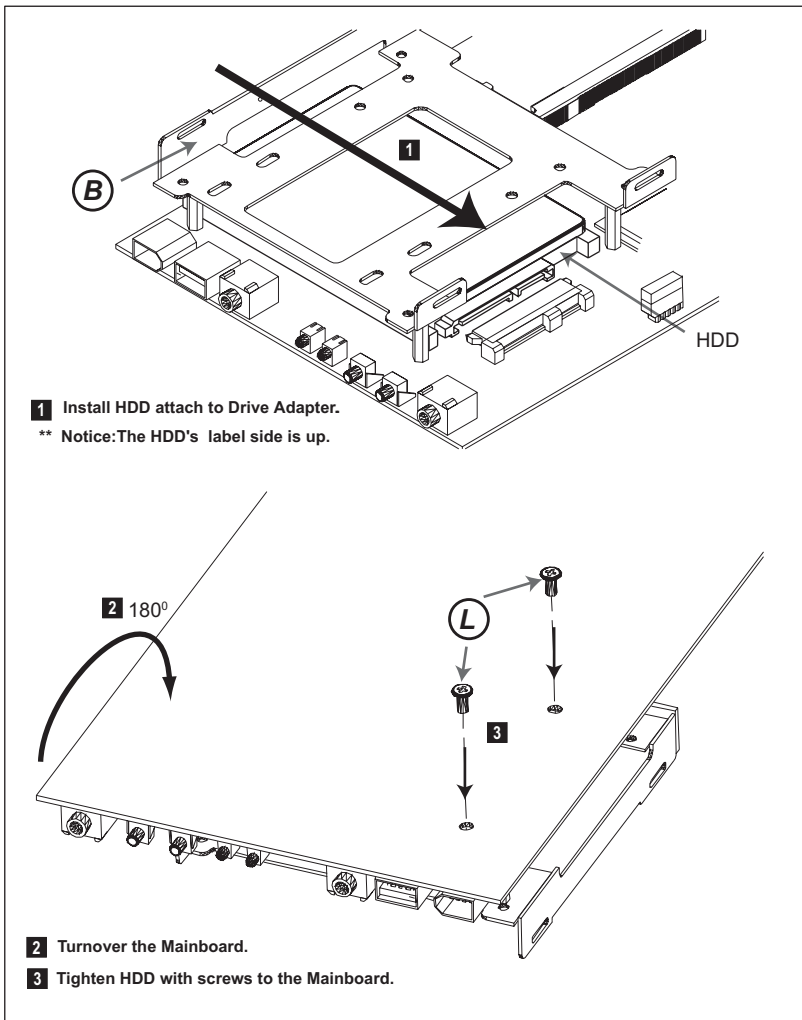
- (A) COM/DVI Screws (* 4)
- (B) CD-ROM Drive Bracket
- (C) Front Panel
- (D) Rear Panel
- (E) Case
- (F) Mainboard
- (G) PCI Riser Card
- (H) CPU Heat Sink
- (I) Optional DVI-D Daughter Boards

Accessory Pack

- (J) EMI Sticker (*2)
- (K) Rubber Stand (*4)
- (L) 2.5" HDD Screws (* 5)
- (M) CD-ROM Screws (* 5)
- (N) Case Screws (* 2)
- (O) PCI Card Fasten Screws (* 1)
- (P) CPU Cooler Screws (* 2)
- (Q) CPU Cooler Paste (* 1)

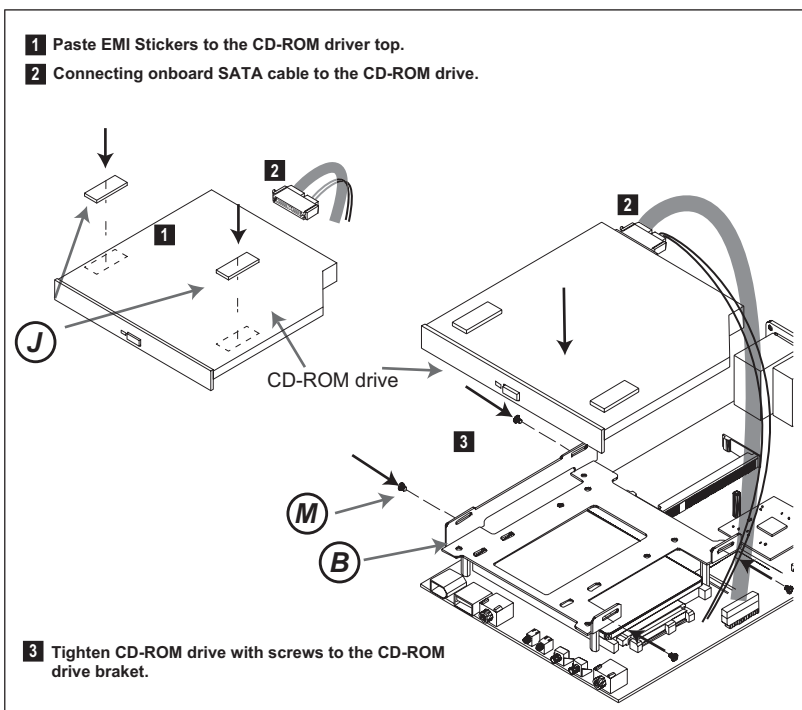
STEP 1

Install Slim HDD



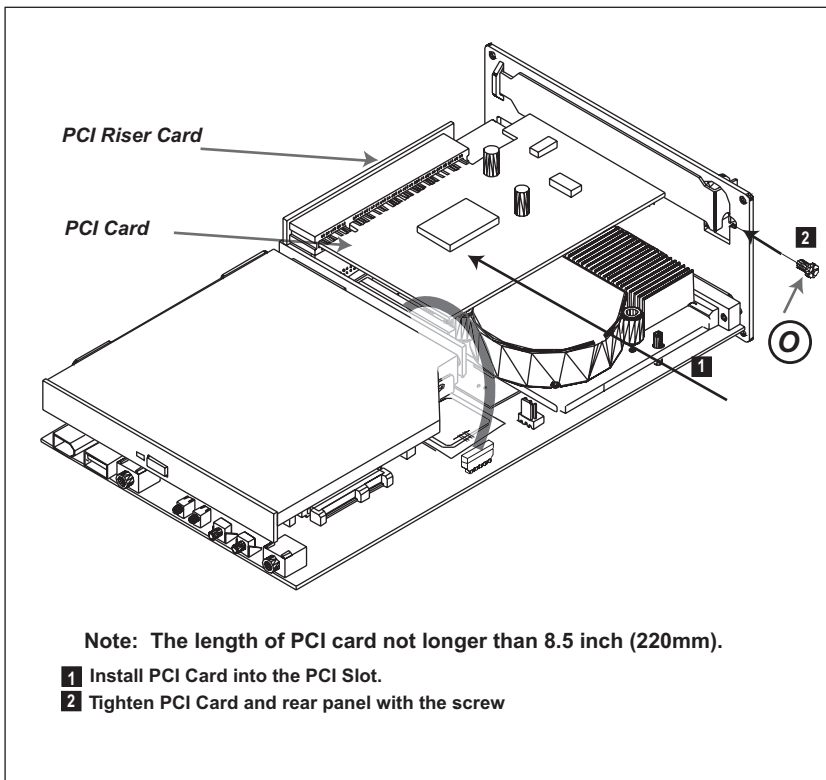
STEP 2

Install CD-ROM

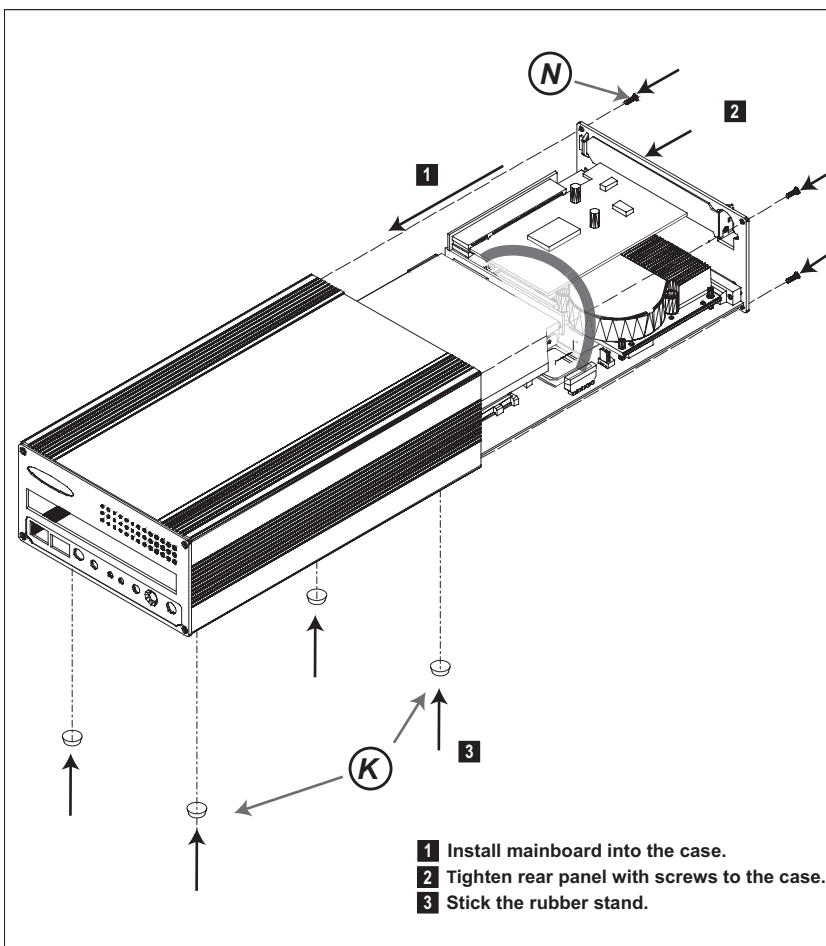


STEP 3

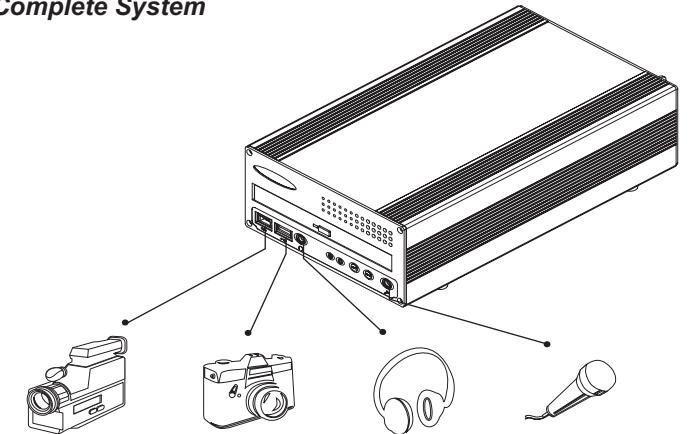
Install PCI Card



Install Case



Complete System



WARNING

This equipment has been tested and found to comply with the limits for a Class B digital device, pursuant to Part 15 of the FCC rules. These limits are designed to provide reasonable protection against harmful interference when the equipment is operated in a residential installation. This equipment generates, uses, and can radiate radio frequency energy and if not installed and used in accordance with the instruction manual may cause harmful interference to radio communications. However, there is no guarantee that interference will not occur in a particular installation. If this equipment does cause harmful interference to radio or television reception, which can be determined by turning the equipment off and on, the user is encouraged to try to correct the interference by one or more of the following measures:

- * Reorient or relocate the receiving antenna.
- * Increase the separation between the equipment and receiver.
- * Connect the equipment into an outlet on a circuit different from that to which the receiver is connected.
- * Consult the dealer or an experienced radio TV technician for help.

Notice: The changes or modifications not expressly approved by the party responsible for compliance could void the user's authority to operate the equivalent.

The system uses entire casing for partial heat dissipation, so the normal operating temperature is between 40°C ~ 55°C.