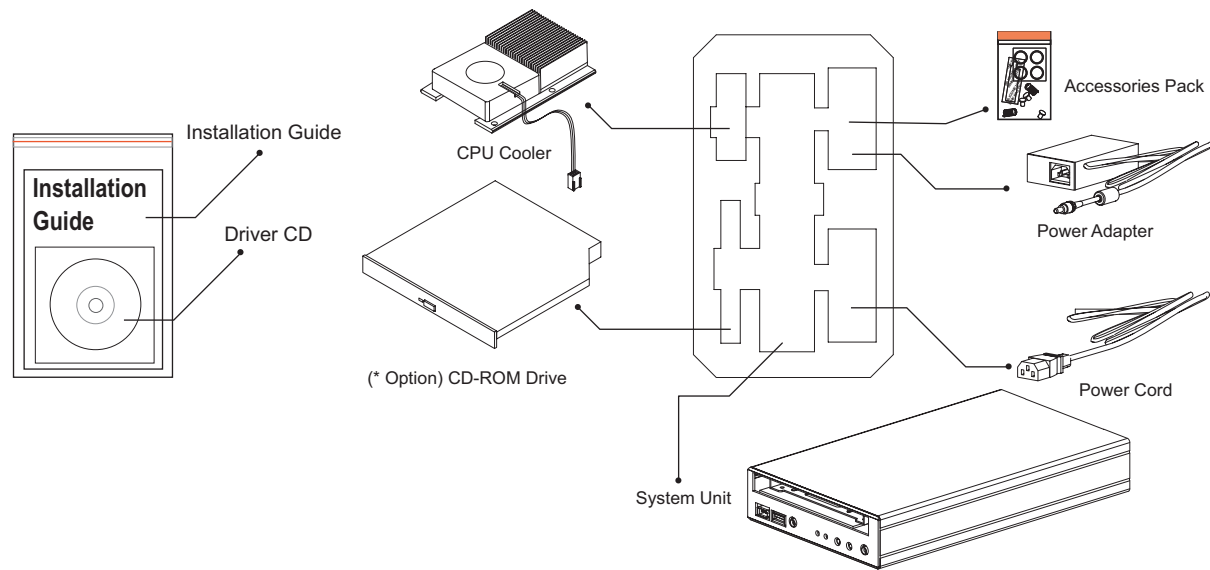


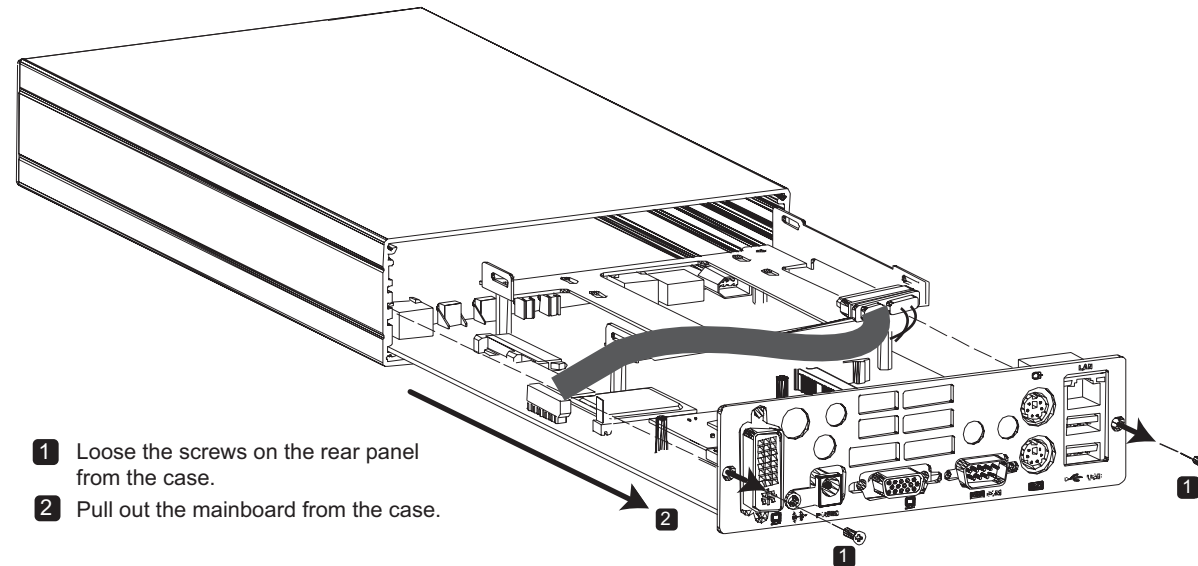
# INSTALLATION GUIDE

M1645A

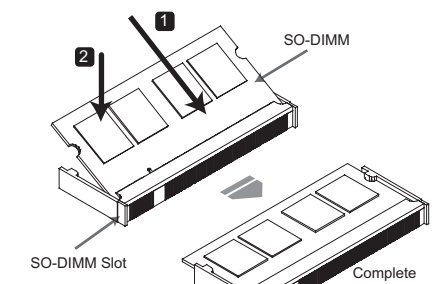
## Item Checklist



## Barebone System Unpacking Guide

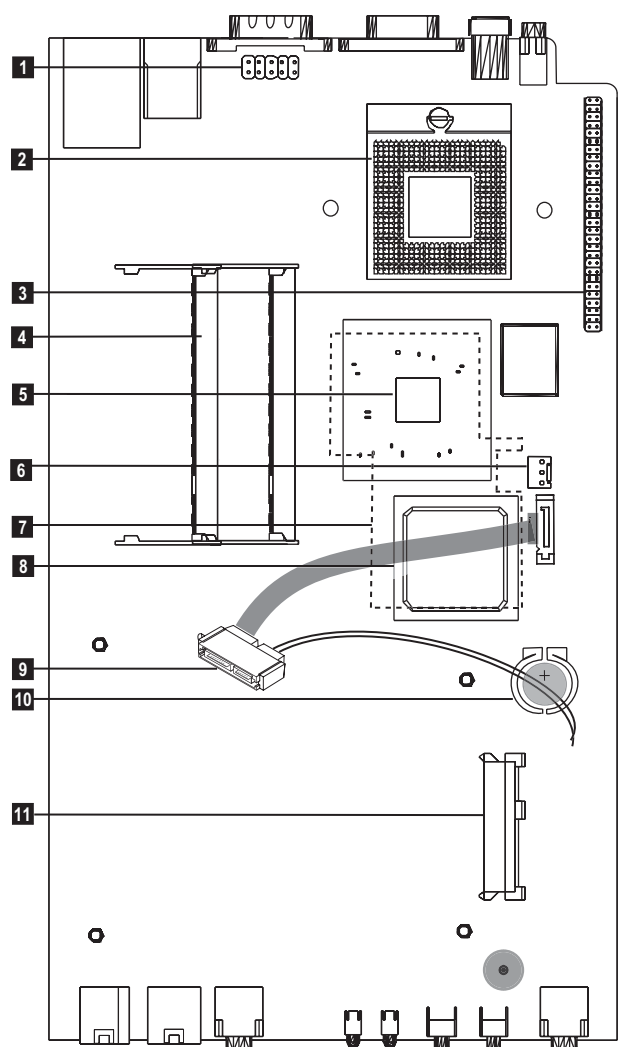


## Install Memory



- 1 Insert SO-DIMM into the SO-DIMM slot on the motherboard by 30°.
- 2 Push down the SO-DIMM onto DIMM slot.

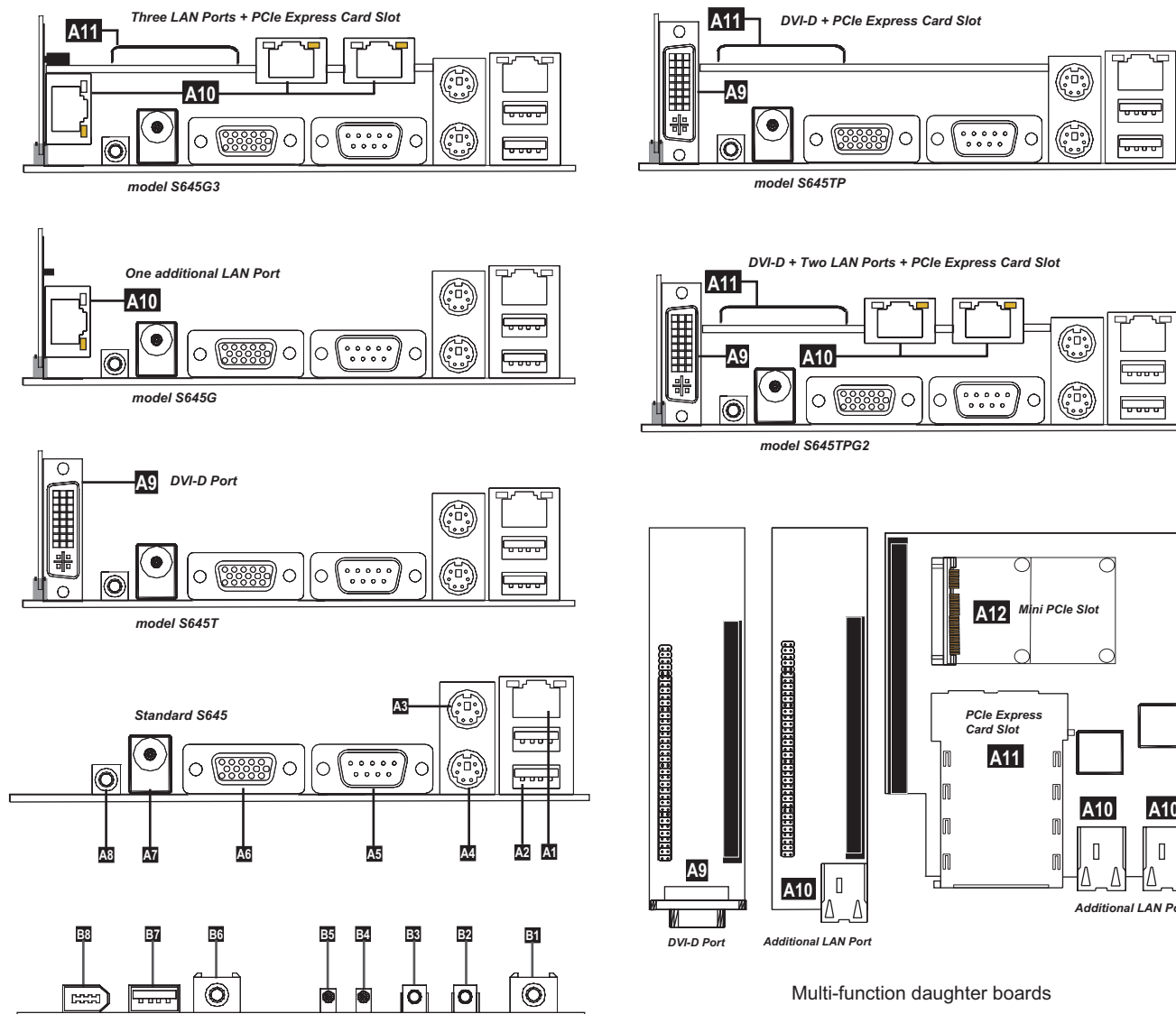
## Mainboard and Optional Daughter Boards' Layout



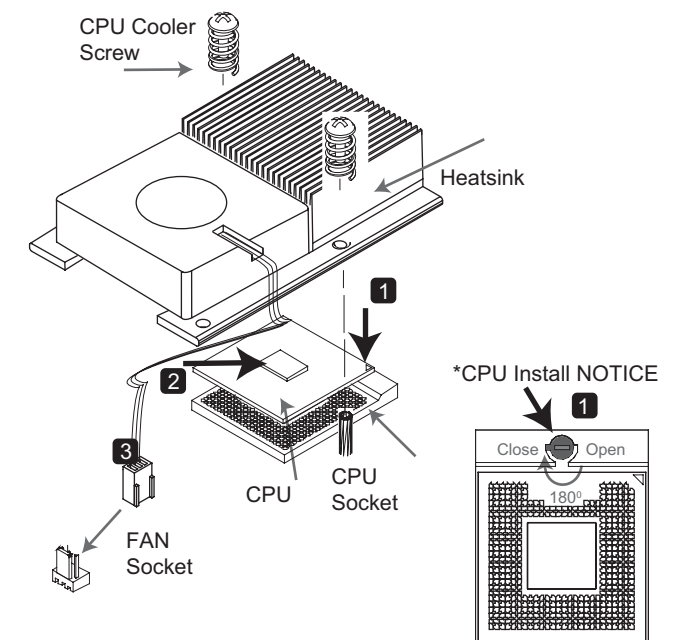
- |    |                              |
|----|------------------------------|
| 1  | Optional COM 2 Connector     |
| 2  | CPU Socket                   |
| 3  | Optional Multi-function Slot |
| 4  | SO-DIMM Slots                |
| 5  | Intel GM45 Chip              |
| 6  | CPU Cooling Fan Connector    |
| 7  | Chipset Heat Sink            |
| 8  | Intel ICH9M Chip             |
| 9  | SATA CD-ROM Drive Cable      |
| 10 | CMOS Battery                 |
| 11 | SATA HDD Connector           |

- |     |                                |
|-----|--------------------------------|
| A1  | RJ45 LAN Port                  |
| A2  | USB Ports                      |
| A3  | PS/2 Mouse Port                |
| A4  | PS/2 Keyboard Port             |
| A5  | RS233/COM 1 Port               |
| A6  | VGA Port                       |
| A7  | DC 12V Power In                |
| A8  | Line-Out Port                  |
| A9  | Optional DVI-D Port            |
| A10 | Optional LAN Port              |
| A11 | Optional PCI Express Card Slot |
| A12 | Optional Mini PCIe Slot        |

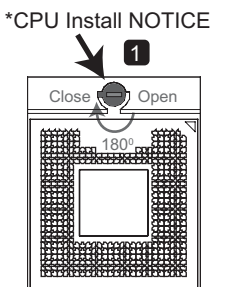
- |    |                     |
|----|---------------------|
| B1 | Mic-In Phone Jack   |
| B2 | Power Button        |
| B3 | Reset Button        |
| B4 | HDD LED             |
| B5 | Power LED           |
| B6 | Ear Phone Jack      |
| B7 | USB Port            |
| B8 | Firewire(1394) Port |



## Install CPU & CPU Cooler





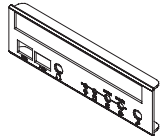
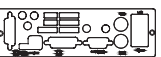
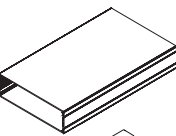
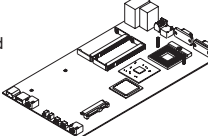
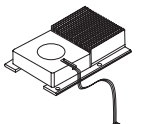
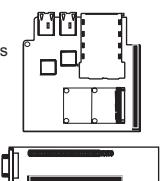
- 1 Install CPU into CPU socket. Match socket pin 1 and CPU cut edge. Screw down the black button to fasten the CPU.
- 2 Glue the heatsink compound on the CPU die surface. Install CPU cooler on top of CPU. Tighten CPU cooler with screws into pillaret.
- 3 Connect CPU FAN connector to mainboard CPU FAN socket.



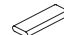








Specifications are for reference only and subject to change without notice.

## Hardware Installation

### Part List

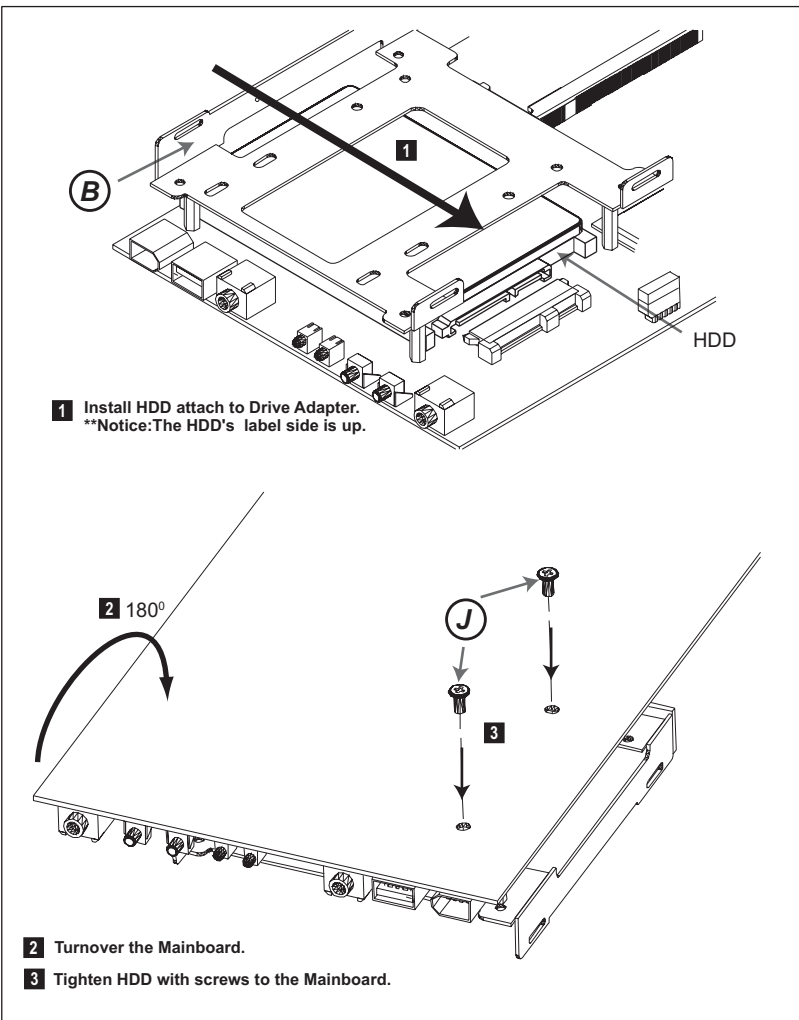
- (A) COM/DVI Screws (\* 6) 
- (B) CD-ROM Drive Bracket 
- (C) Front Panel 
- (D) Rear Panel 
- (E) Case 
- (F) Mainboard 
- (G) CPU Cooler 
- (Q) Optional Multi-Function Daughter Boards (MFDB) 

### Accessory Pack

- (H) EMI Sticker (\*2) 
- (I) Rubber Stand (\*4) 
- (J) 2.5" HDD Screws (\* 5) 
- (K) CD-ROM Screws (\* 5) 
- (L) Case Screws (\* 2) 
- (M) CPU Cooler Screws (\* 2) 
- (N) CPU Cooler Paste (\* 1) 
- (O) Mini card screw \* 2 (For optional MFDB) 
- (P) Mini card spacer and fastener \* 4 (For optional MFDB) 

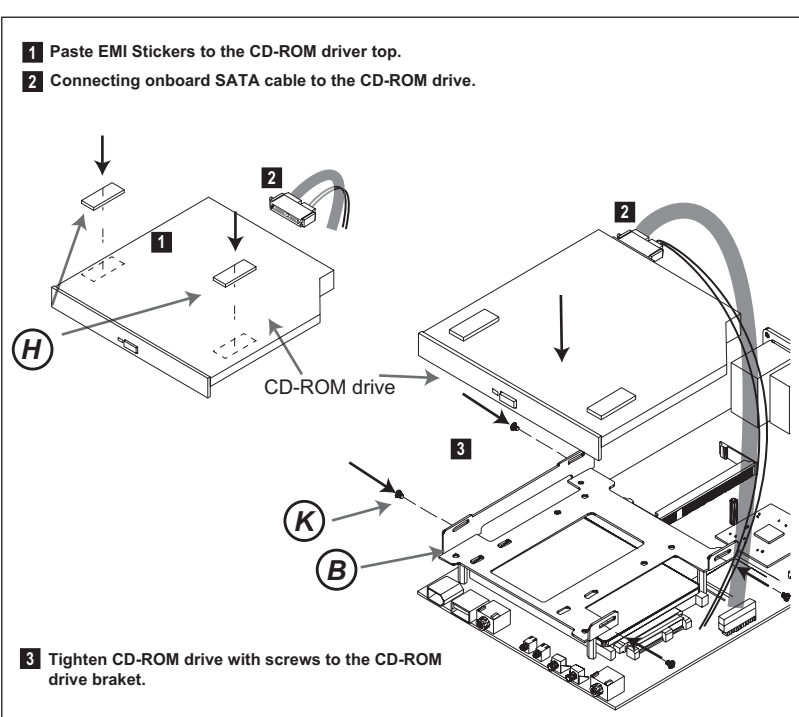
### STEP 1

#### Install Slim HDD



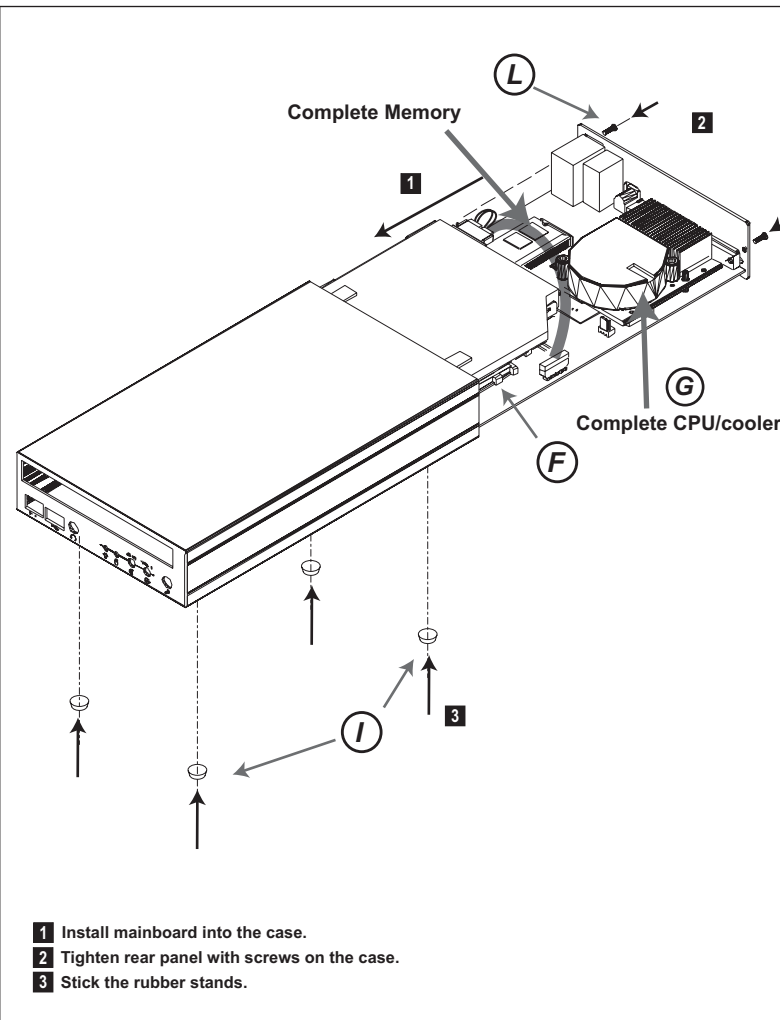
### STEP 2

#### Install CD-ROM

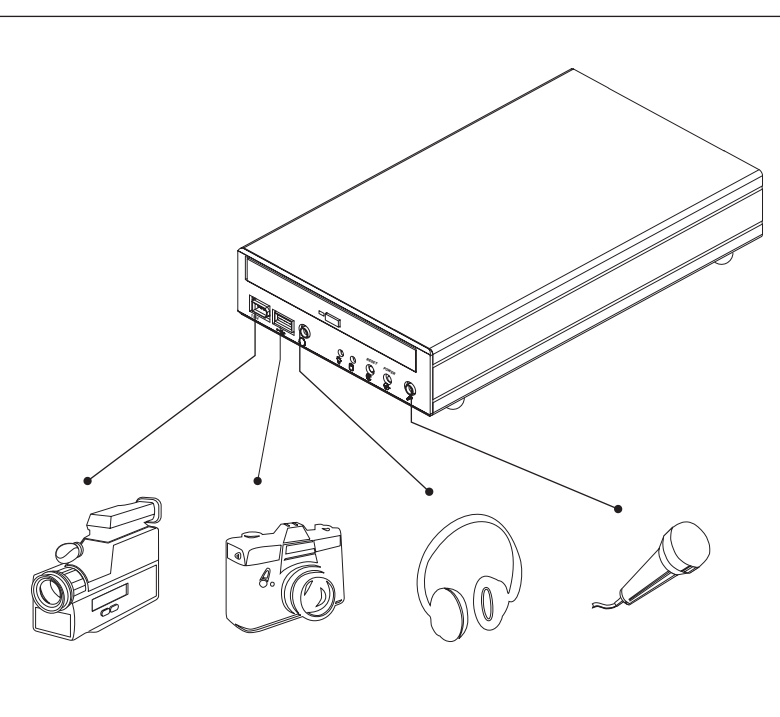


### STEP 3

#### Install Case



#### Complete System



## WARNING

This equipment has been tested and found to comply with the limits for a Class B digital device, pursuant to Part 15 of the FCC rules. These limits are designed to provide reasonable protection against harmful interference when the equipment is operated in a residential installation. This equipment generates, uses, and can radiate radio frequency energy and if not installed and used in accordance with the instruction manual may cause harmful interference to radio communications. However, there is no guarantee that interference will not occur in a particular installation. If this equipment does cause harmful interference to radio or television reception, which can be determined by turning the equipment off and on, the user is encouraged to try to correct the interference by one or more of the following measures:

- \* Reorient or relocate the receiving antenna.
- \* Increase the separation between the equipment and receiver.
- \* Connect the equipment into an outlet on a circuit different from that to which the receiver is connected.
- \* Consult the dealer or an experienced radio TV technician for help.

Notice: The changes or modifications not expressly approved by the party responsible for compliance could void the user's authority to operate the equivalent.

*The system uses entire casing for partial heat dissipation, so the normal operating temperature is between 40°C ~ 55°C.*