

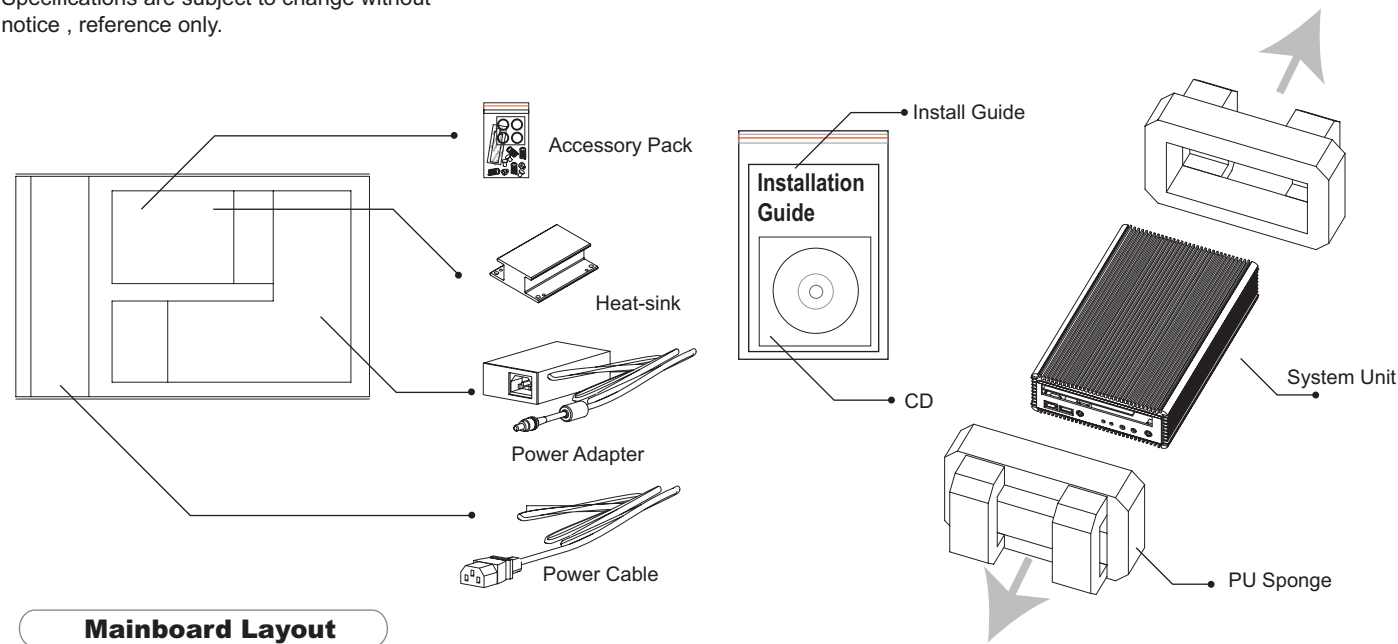
INSTALLATION GUIDE

M0636

General Information

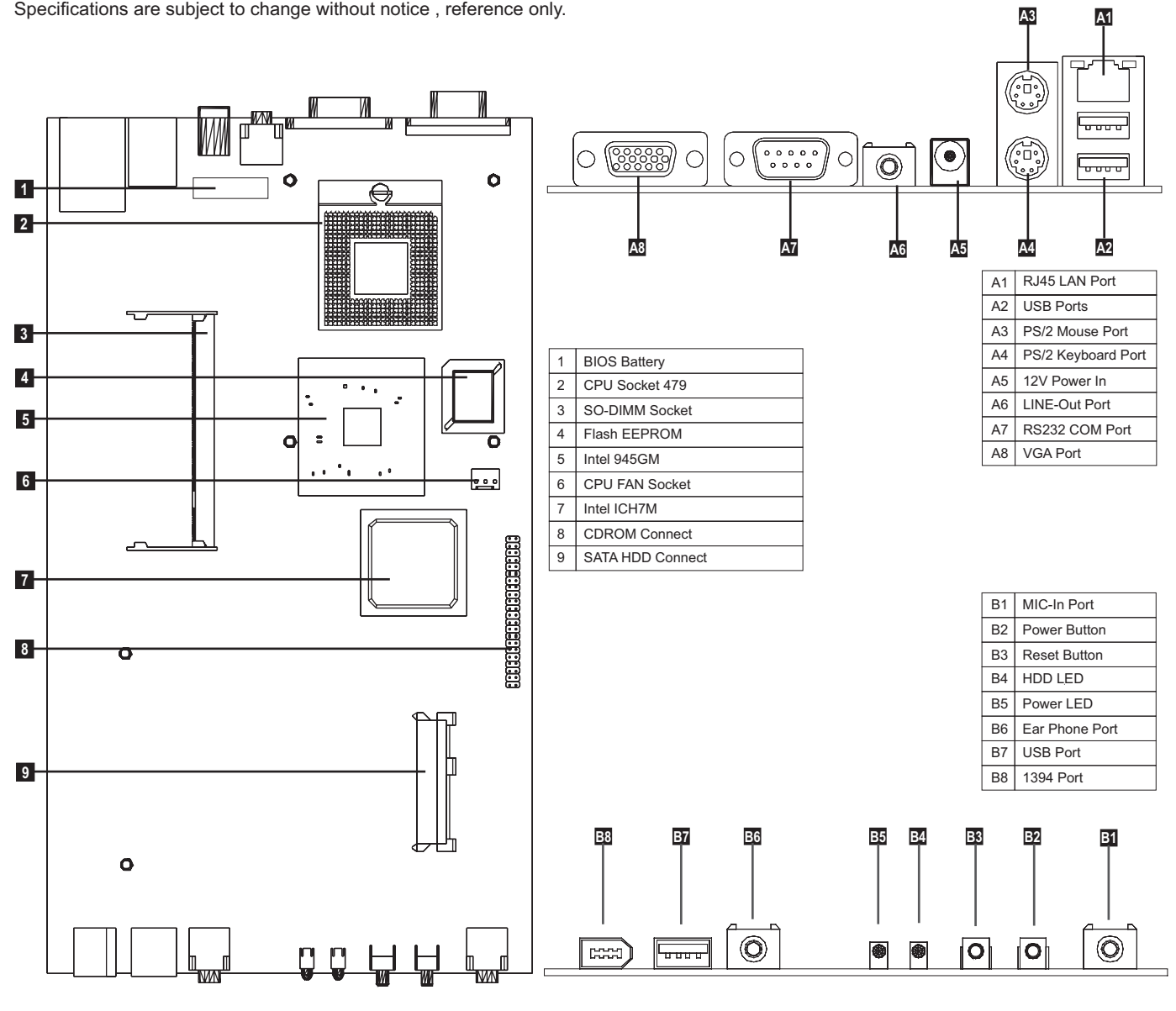
Item Checklist

Specifications are subject to change without notice, reference only.

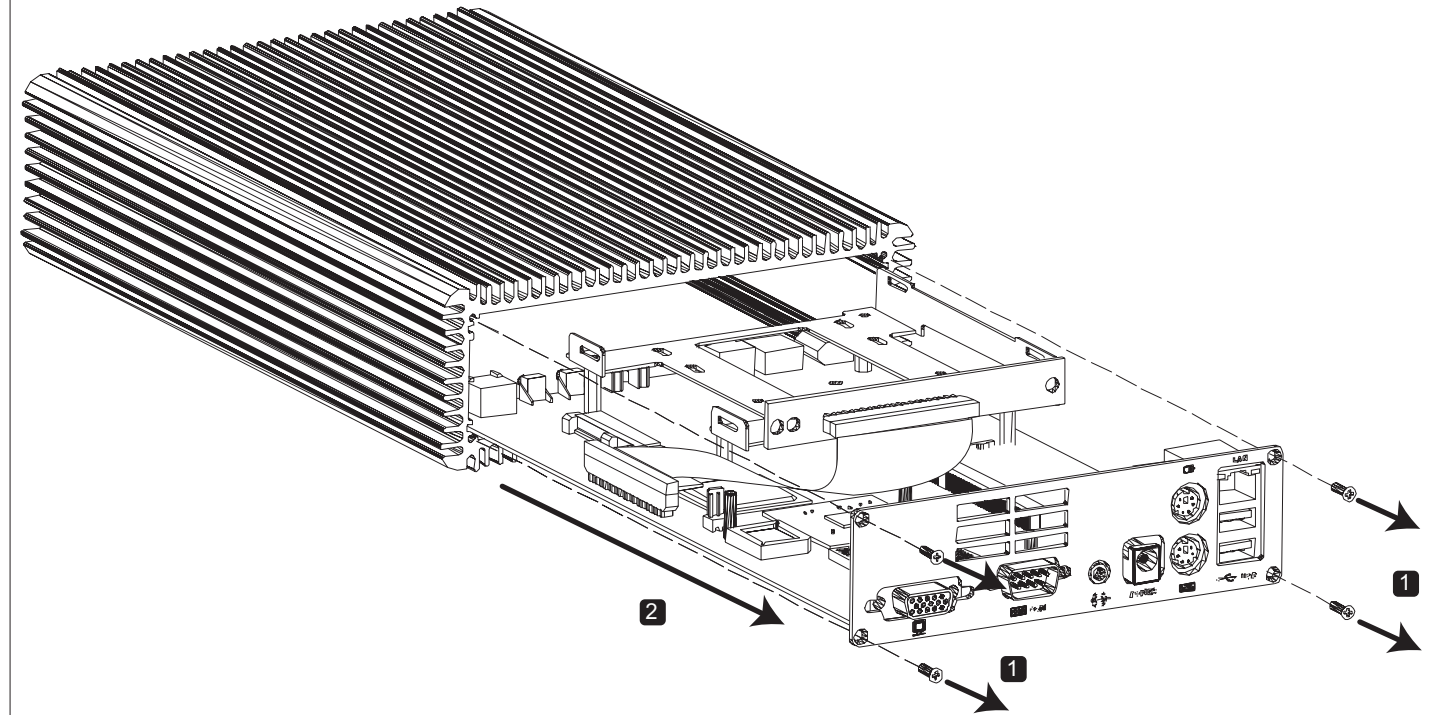


Mainboard Layout

Specifications are subject to change without notice, reference only.

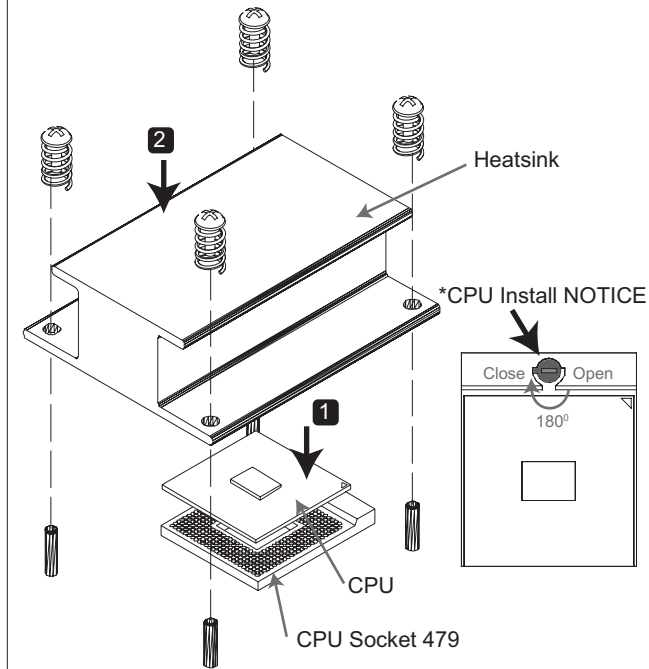


Barebone System Unpacking Guide



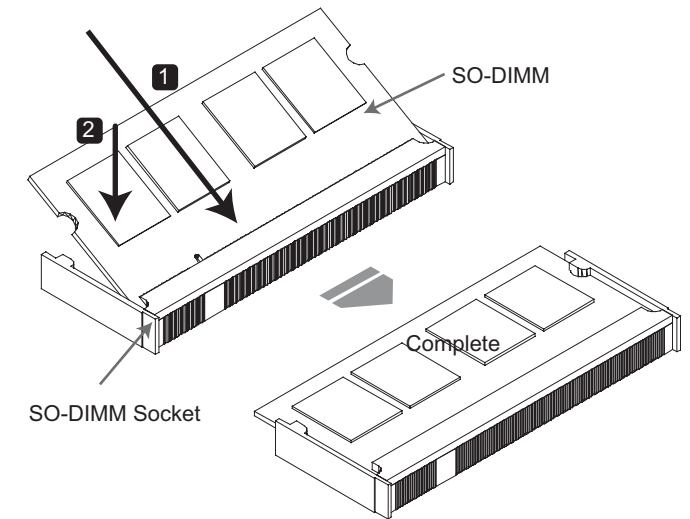
- 1 Loosen the screws on the rear panel from the case.
- 2 Pull out the mainboard from the case.

Install CPU / Cooler



- 1 Install CPU into CPU socket. Match socket pin 1 and CPU cut edge. Screw down the black button to fasten the CPU.
- 2 Glue the heatsink compound between the CPU and heatsink. Install CPU cooler on top of CPU. Tighten CPU cooler with screws into pillaret.

Install Memory



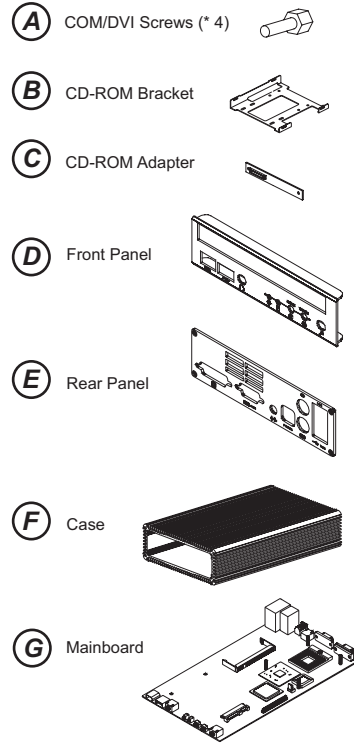
- 1 Install SO-DIMM into the SO-DIMM Socket on the motherboard by 30°.
- 2 Press the SO-DIMM onto DIMM Socket.

INSTALLATION GUIDE

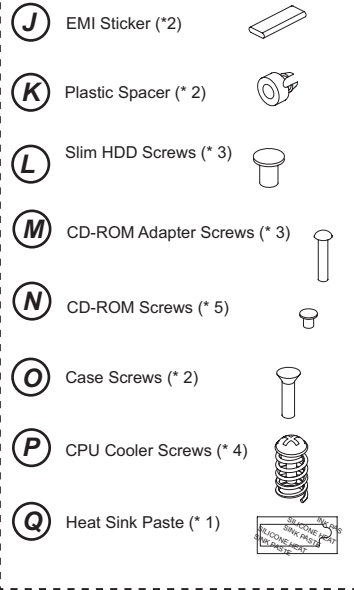
M0636

Hardware Installation

Part List

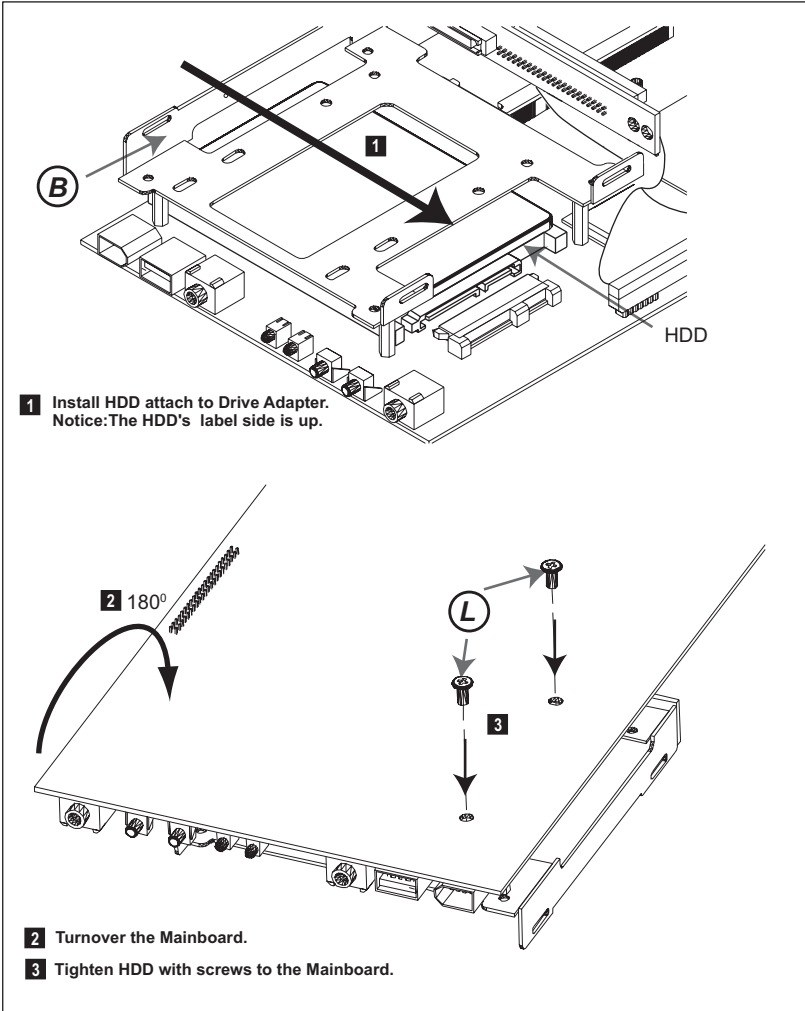


Installation Accessory Pack



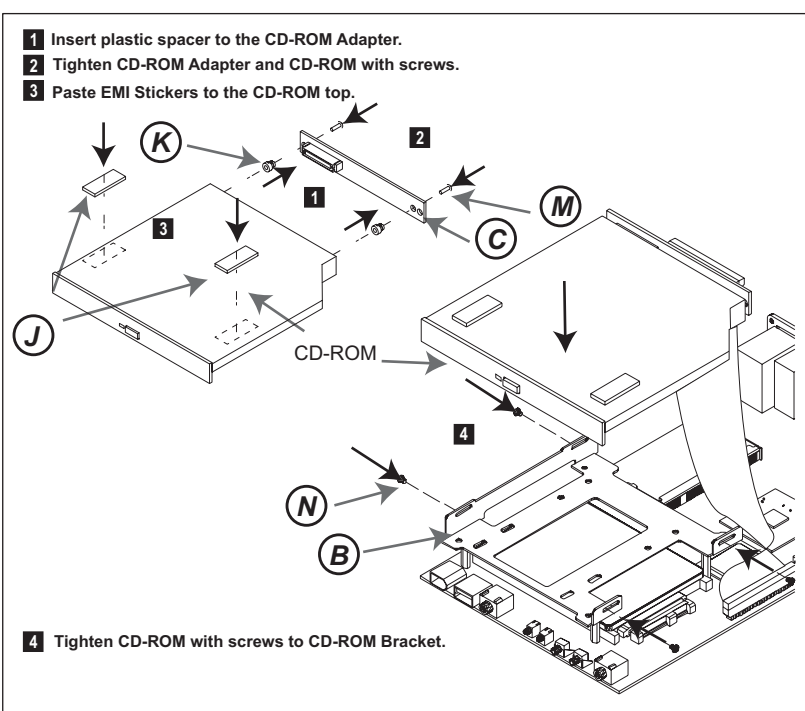
STEP 1

Install Slim HDD



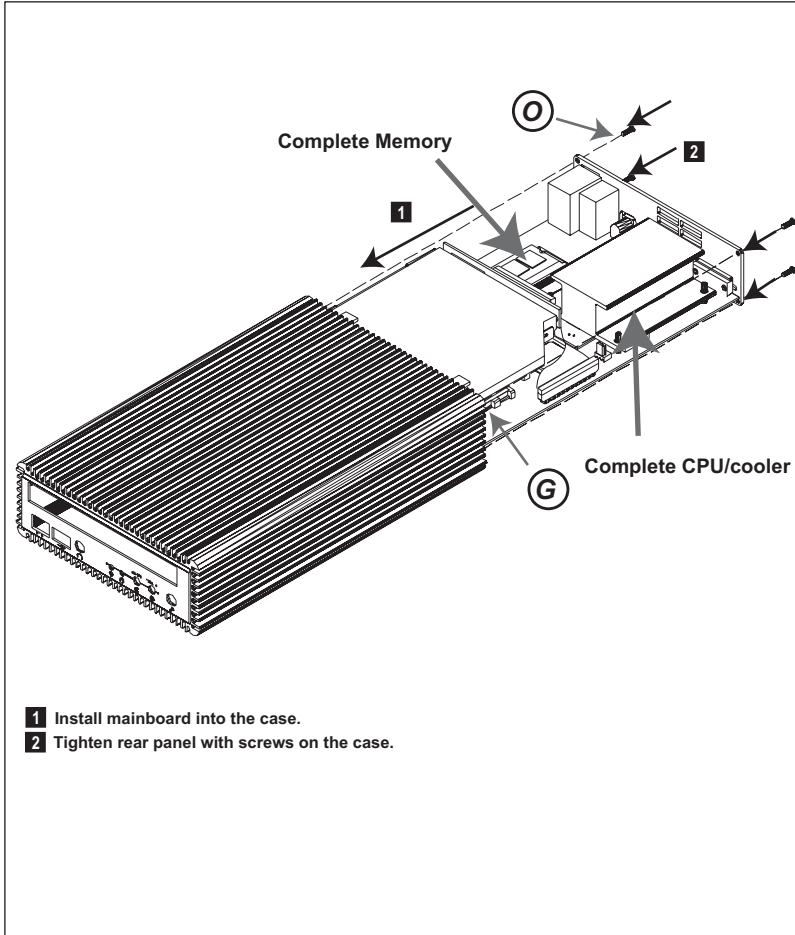
STEP 2

Install CD-ROM

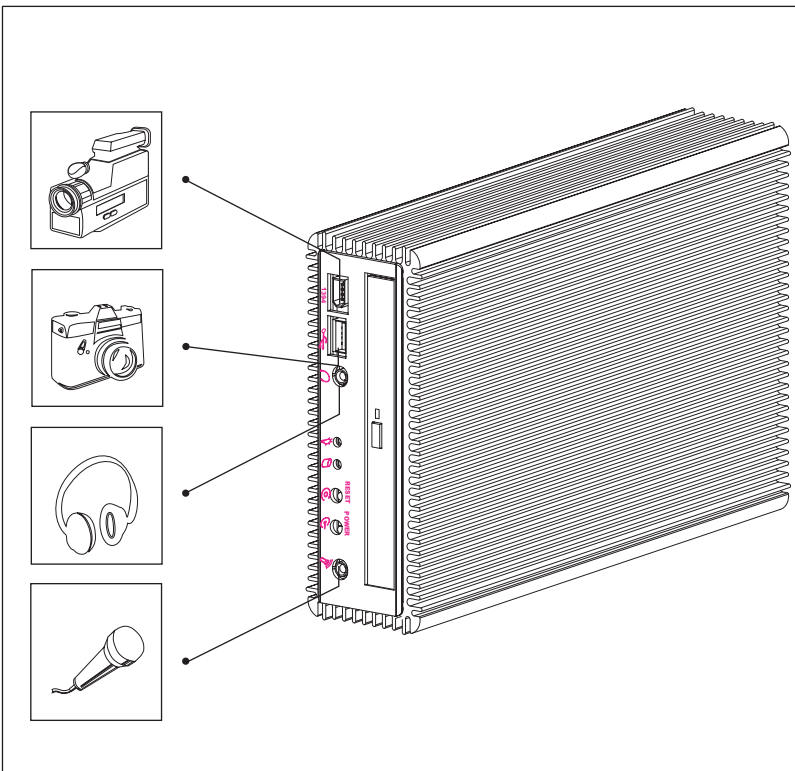


STEP 3

Install Case



Complete System



This equipment has been tested and found to comply with the limits for a Class B digital device, pursuant to Part 15 of the FCC Rules. These limits are designed to provide reasonable protection against harmful interference when the equipment is operated in a residential installation. This equipment generates, uses, and can radiate radio frequency energy and if not installed and used in accordance with the instruction manual may cause harmful interference to radio communications. However, there is no guarantee that interference will not occur in a particular installation. If this equipment does cause harmful interference to radio or television reception, which can be determined by turning the equipment off and on, the user is encouraged to try to correct the interference by one or more of the following measures:

- * Reorient or relocate the receiving antenna.
- * Increase the separation between the equipment and receiver.
- * Connect the equipment into an outlet on a circuit different from that to which the receiver is connected.
- * Consult the dealer or an experienced radio TV technician for help.

Notice: The changes or modifications not expressly approved by the party responsible for compliance could void the user's authority to operate the equivalent.

The system uses entire casing for partial heat dissipation, so the normal operating temperature is between 40°C ~ 55°C.